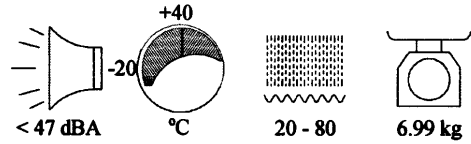
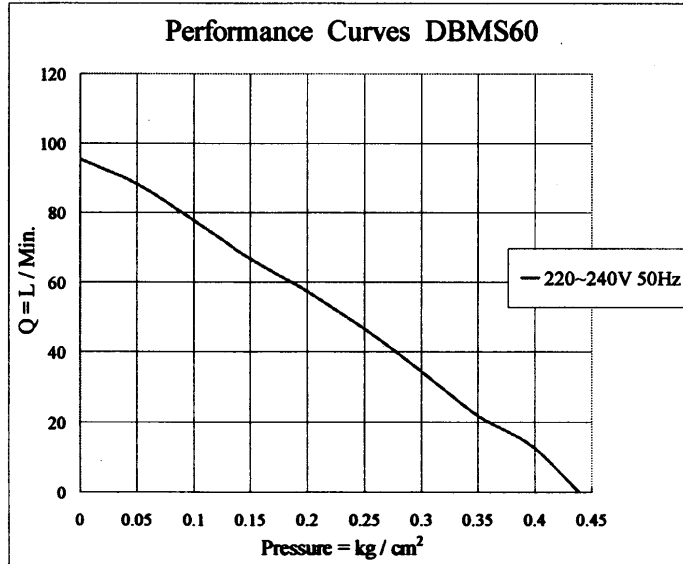


**Model No. DBMS60**

Performance / Rendimiento / Prestanda

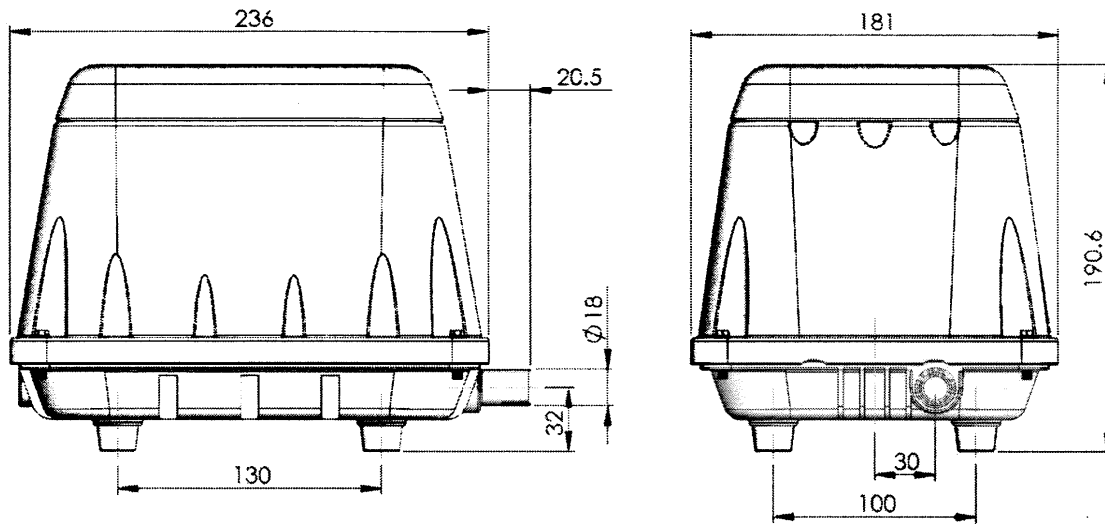


★ Allowance :  $\pm 5\%$



**Exhaust**

Dimensions / Dimensiones (mm)



Model No.	Voltage (VAC)	Frequency (HZ)	Rated Pressure (kg/cm <sup>2</sup> )	Airflow (LPM)	AMP (A)
DBMS60	220 ~ 240	50	0.15	66	0.6

**Diann Bao Inc.**

[www.airmac.com.tw](http://www.airmac.com.tw)  
[www.diann-bao.com.tw](http://www.diann-bao.com.tw)

✉ E-mail: [airmac@airmac.com.tw](mailto:airmac@airmac.com.tw)  
✉ E-mail: [diannbao@ms26.hinet.net](mailto:diannbao@ms26.hinet.net)

☎ Tel: +886-4-7621838  
✉ Fax: +886-4-7617617